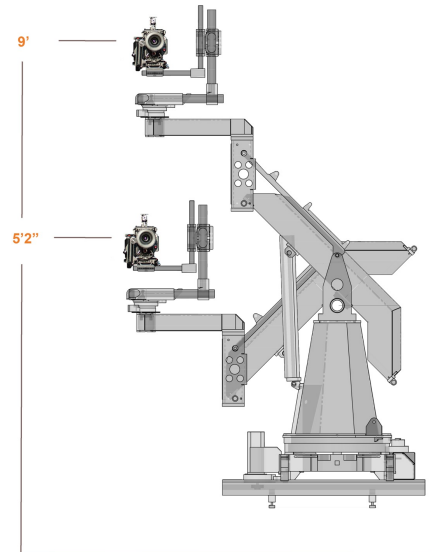
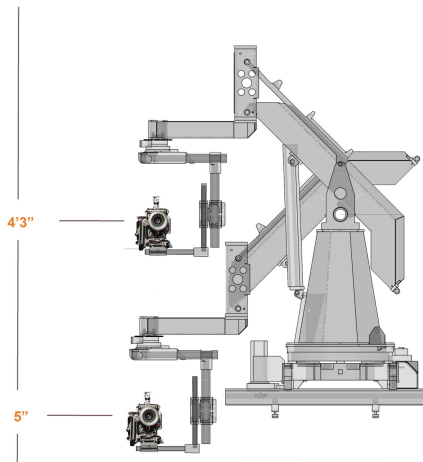
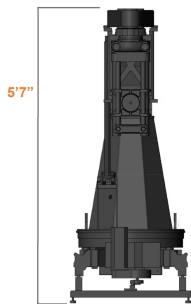
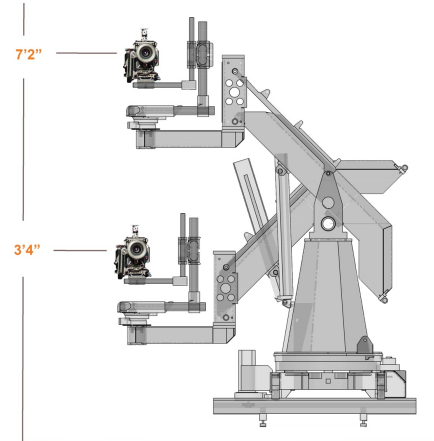
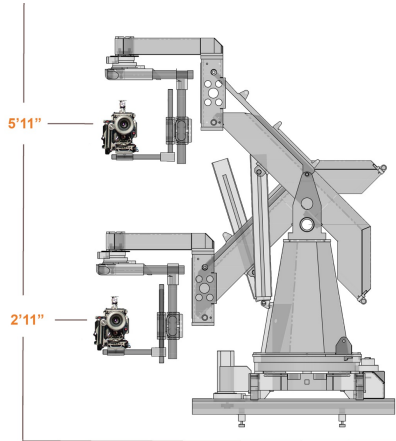
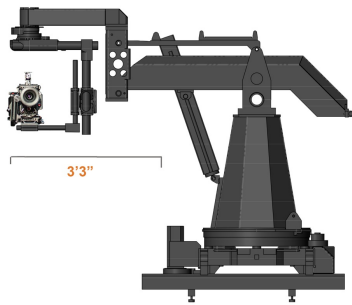


CAMERACONTROL

MODULAR WITH ARM



Operating Envelope

Maximum Height	9ft (2.74m)
Lowest position above hard floor	5in (13cm)
Maximum travel	3' 10" (1.17m)
Maximum reach from edge of track	3' 3" (1m)

Rig Dimensions

Height (off track)	5ft (1.5m) <i>fits through a standard doorway</i>
Minimum Height (on track)	5ft 6in (1.67m)
Width (with wheel units)	2ft 5in (.74m) <i>fits through a standard doorway</i>
Length (head on)	6ft 8in (2m)

Rig Performance

Axis	Range of Travel	Maximum Speeds
Track	As required in 10' (3m) lengths	11ft (3.5m) per second
Rotate	Unlimited	70 degrees per second
Lift (see diagram above)	3ft 10in (1.17m)	3ft (.9m) per second
Pan	Unlimited	120 degrees per second
Tilt	Unlimited	120 degrees per second

Power Connection

Power requirements: Generator 5kw

Camera Control Inc cameracontrol.com

3317 Ocean Park Blvd. Santa Monica CA, 90405

Tel: (310) 581-8343