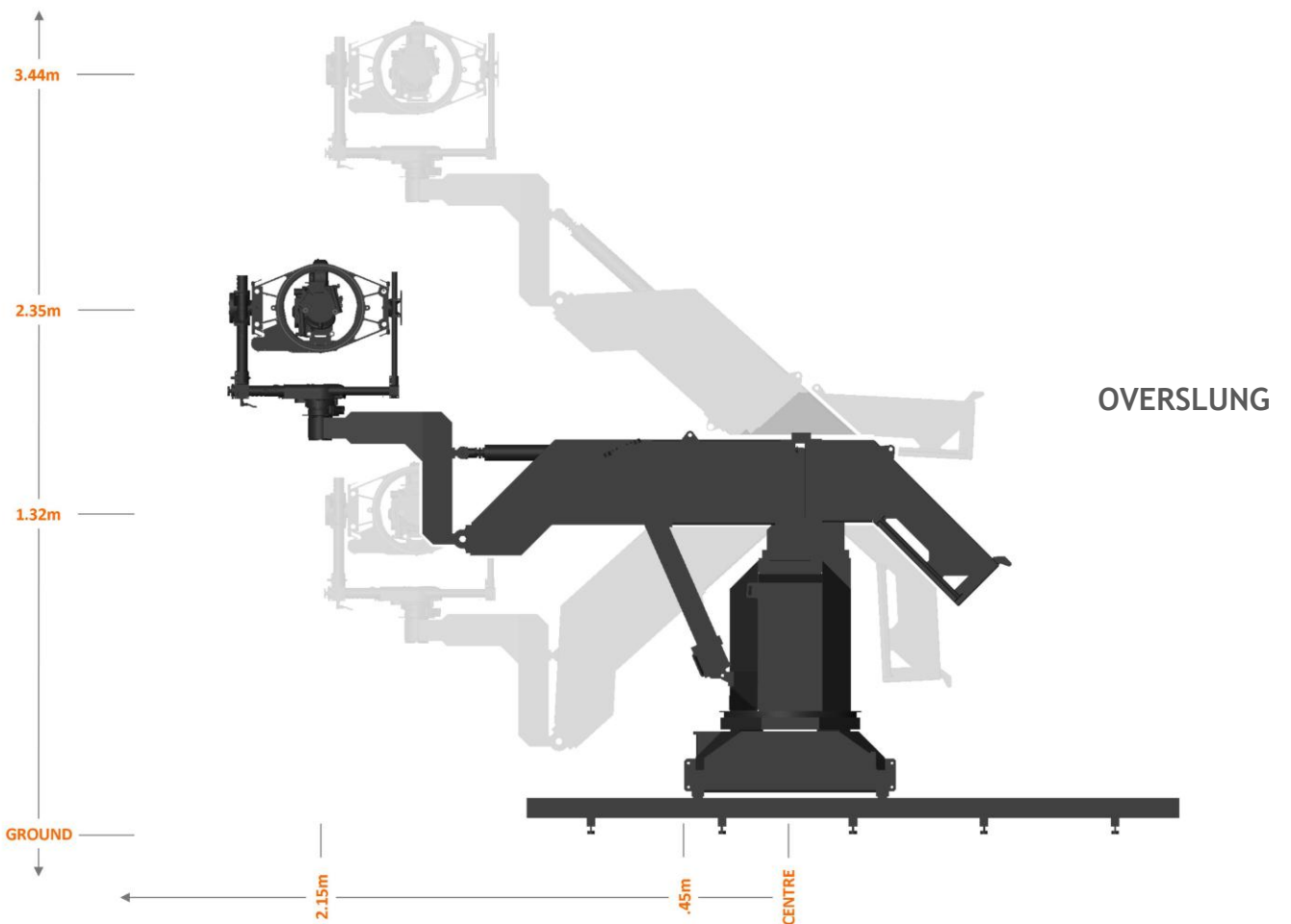
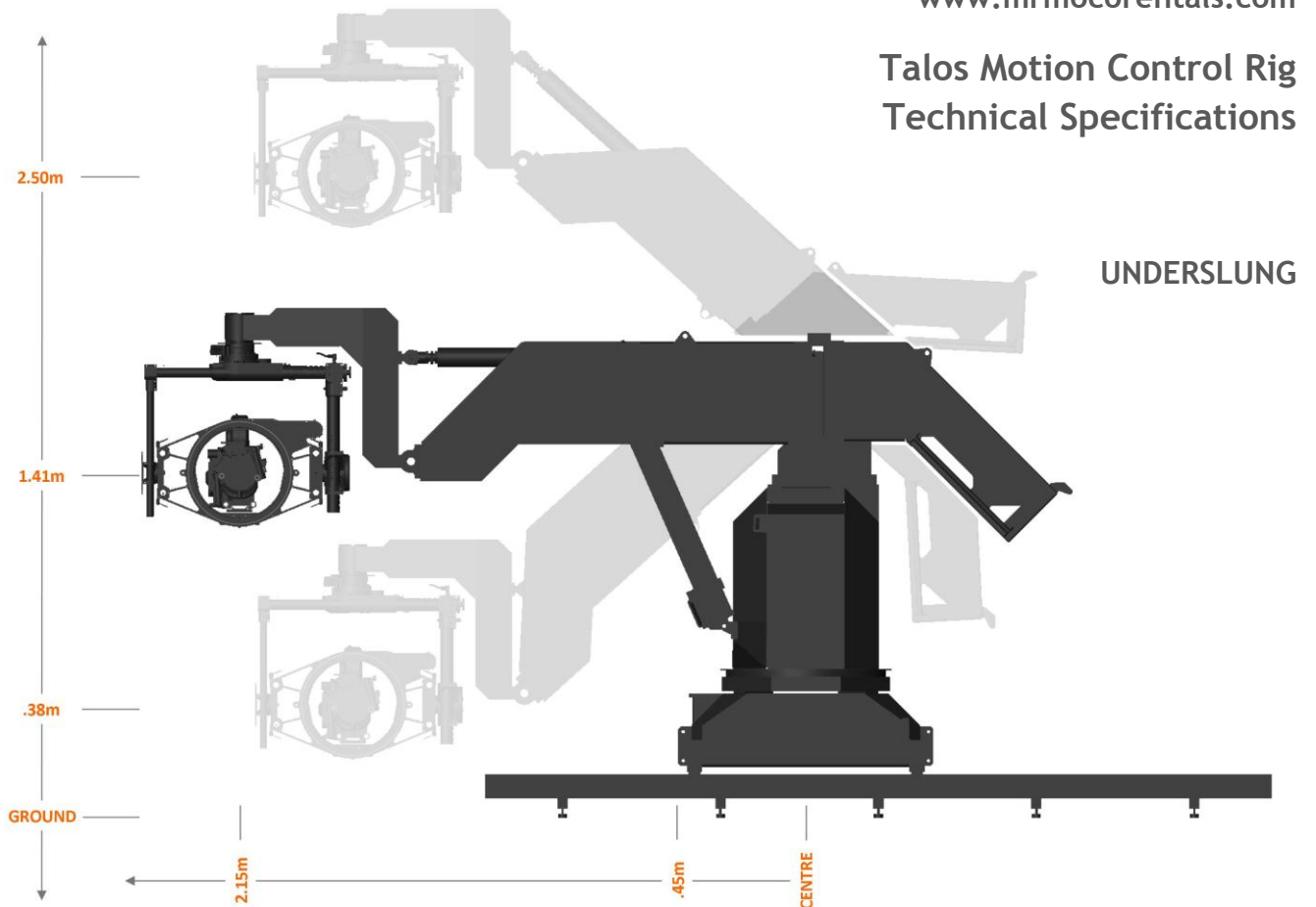


Talos Motion Control Rig Technical Specifications



Operating Envelope underslung

Maximum Height	2.50m
Lowest position	.38m
Maximum travel	2.12m
Maximum reach (from rotate centre)	2.15m
Maximum reach (from turret)	1.70m

Operating Envelope overslung

Maximum Height	3.44m
Lowest position	1.32m
Maximum travel	2.12m
Maximum reach (from rotate centre)	2.15m
Maximum reach (from turret)	1.70m

Rig Dimensions (for clearances)

Talos Height (off track)	1.80m <i>fits through a standard doorway</i>
Talos Minimum Height (on track)	1.90m
Talos width (with wheel units)	.81m <i>fits through a standard doorway</i>
Talos Length (head on)	3.35m

Rig Performance

Axis	Range of Travel	Maximum Speeds
Track	As required in 3m lengths	3 metres per second
Rotate	Unlimited	70 degrees per second
Lift	3.44m (overslung) .38m (underslung)	1m per second
Pan	Unlimited	120 degrees per second
Tilt	Unlimited	120 degrees per second
Roll	Unlimited	90 degrees per second

Rig Weights

	Kg	Lbs
Base	90	198
Turret	65	143
Ulti-Head with Roll	32	70
Arm	68	150
Counterweight bucket	41	90
Counterweights	50 (5x10kg)	110
Lift Ballscrews	39	86
Jacking wheel units	68	150
Total weight of Talos	453	997
Each 3m track	55	121
Flair Operator Console	32	70

Power Connection

Power requirements: 110-240 Volts, Frequency 50-60 Hz

Generator: 6.5 KVA

Please note: Mr Moco Rentals reserves the right to change these specifications without notice.
Spec dimensions dependent on type and size of camera used on the rig.